



Description

Concorde is an aluminium staircase made out of 2 massive flat stringers with integrated airplane formed steps. Very slim on the frontside, monumentally rounded on the backside.

Made to measure in respect of width, length and angle of inclination.

Anodised aluminium is used for a nicely finished natural product.

The airy character of the staircase is accentuated by the thin beams.

Needed material :

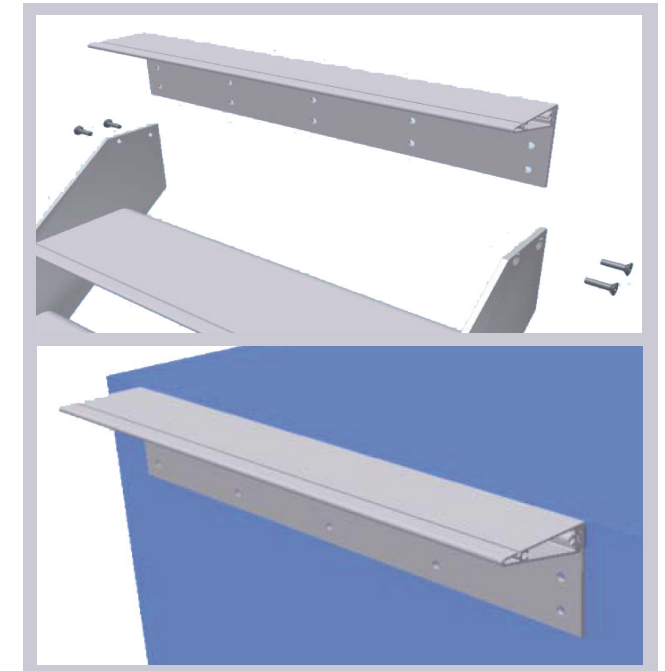
- SDS drill Ø12mm, length 20cm
- Levelling staff ± 70 cm
- Meter
- Big try square
- Wrench for stainless steel threaded rods n°10
- Wrench for hexagon socket countersunk head cap screws
- Grey silicone
- Double sided rubber
- UPAT UPM 44 chemical mortar and pistol
- General purpose thread sealant

Situation

Check the place where the staircase will be installed.
Is the adjoining wall completely flat?
Is the floor flat?

Adjust if necessary so that the staircase can be installed straight and on level!

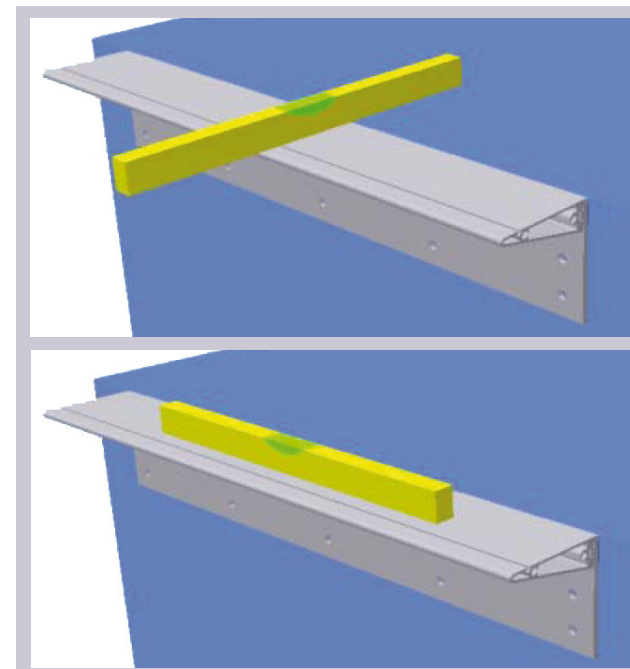
Installment uppertread



Release the 4 bolts on the side of the uppertread. Put the tread to the floor and beware of future finished floor.

1

Installment uppertread



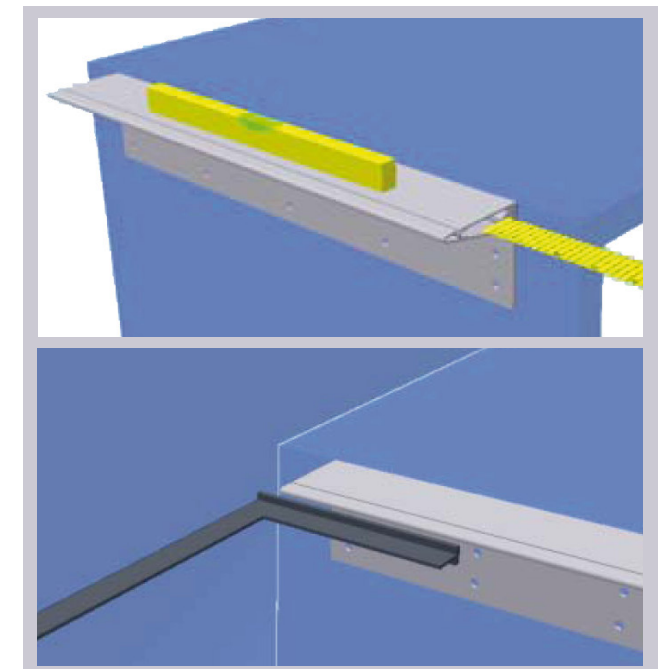
Put the tread on level in length and width (completely flat with floor).

2

Installment uppertread



Square up wall and tread !



Foresee sufficient space to fix balustrade.

To keep the tread on its spot, fix it temporarily with plug and screw.

3