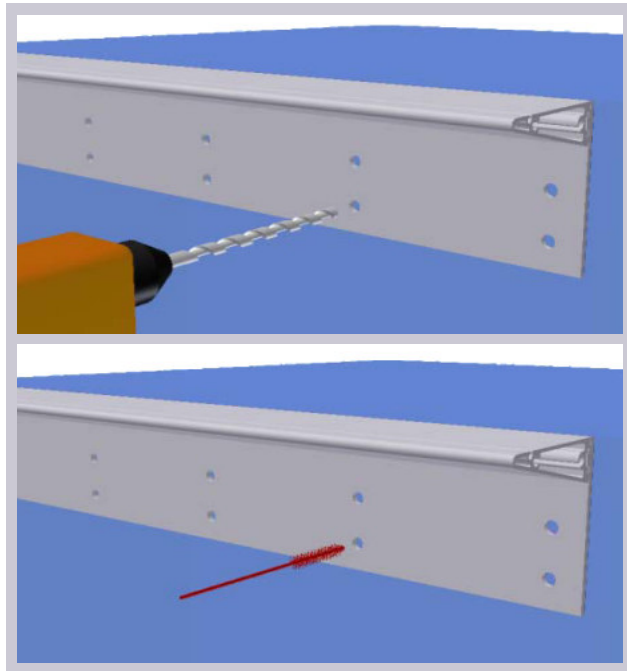
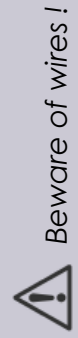


## Installment uppertread

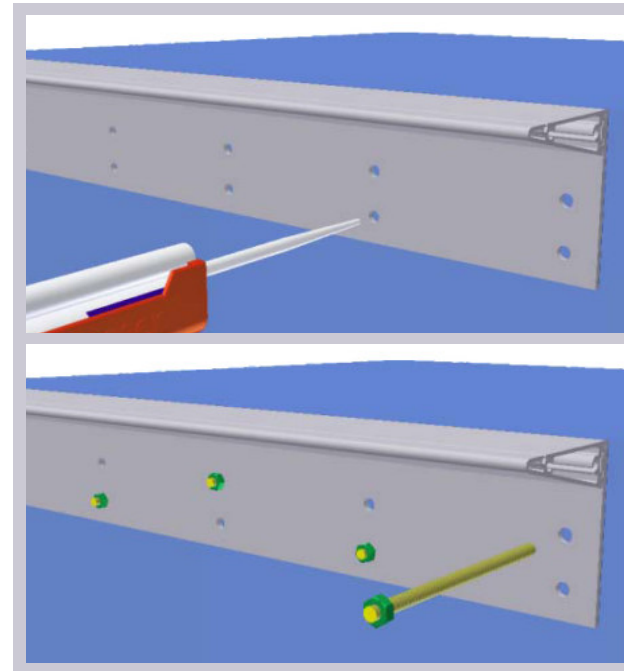


Drill approximately 5 holes  $\varnothing 12\text{mm}$  on different heights and 18cm deep in the wall. Clean carefully before using chemical mortar. Beware of wires of electricity or floor heating.

For wooden floor, use wood screws.

4

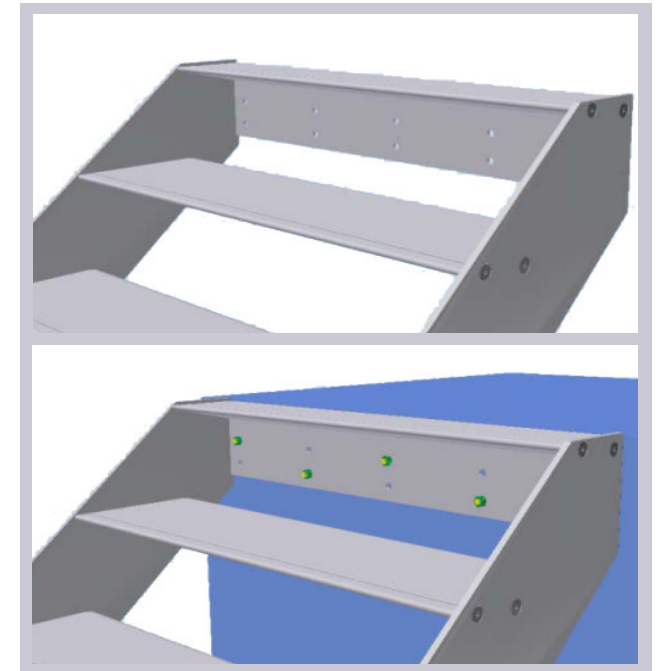
## Installment uppertread



Fill the holes with chemical mortar. Put the threaded rods in the holes by rotation movement until they stick out 1,5cm. Let harden and remove the uppertread from the rods. The excess of mortar assures ideal installment when the staircase is hanged on the rods.

5

## Fixation staircase

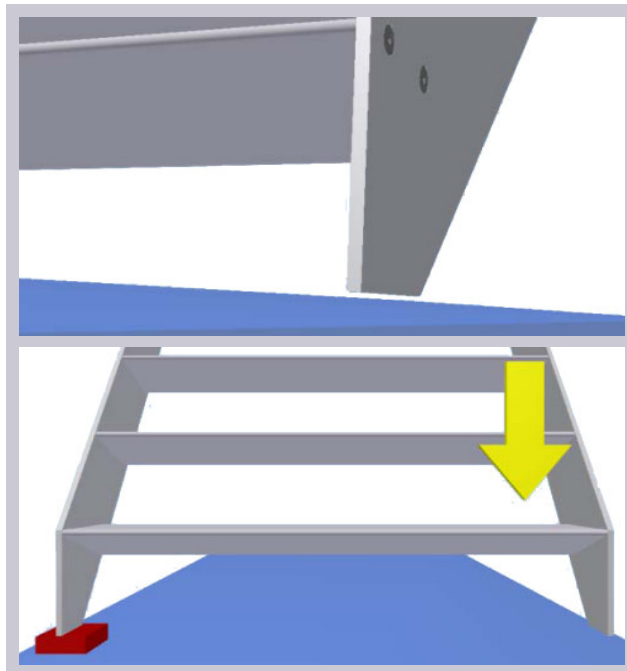


Fix the uppertread in the staircase by means of the 4 bolts and hang the staircase on the rods.

Screw the bolts M10 on the rods and tighten them.

6

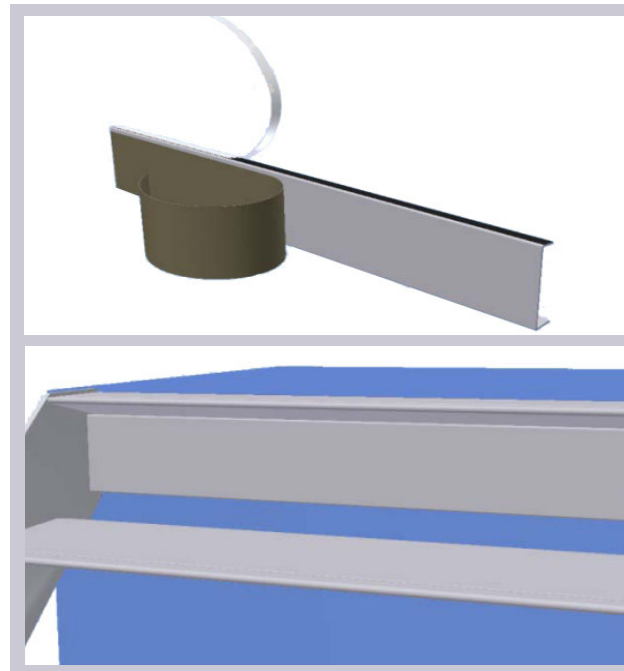
## Fixation staircase



If the staircase isn't supported by both beams, use a block of  $\pm 4\text{cm}$  high under the supporting beam and twist the staircase until both beams are supporting.

7

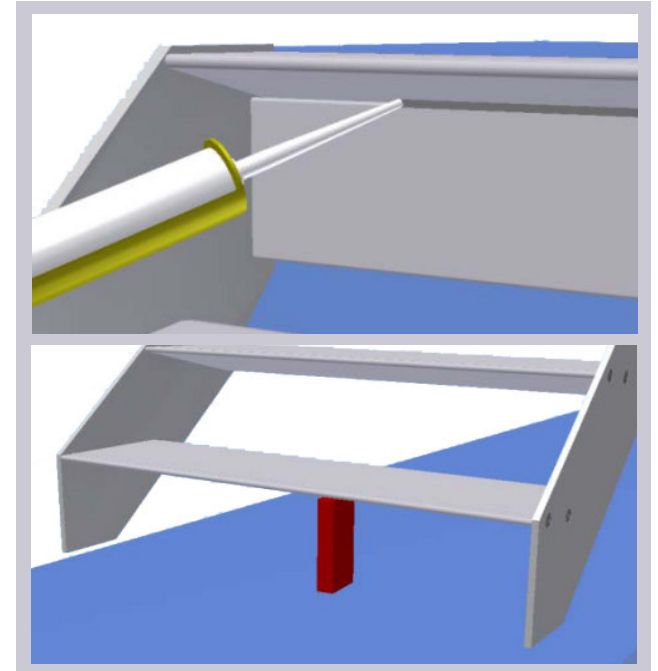
## Fixation covering plate



Remove brown foil from the covering plate and stick the plate by means of the double sided tape, under the uppertread.

8

## Finishing of staircase



Fill up the opening with gray silicone. Lift the staircase and put a block underneath. Fix the double-sided rubber under the stringers. Clean up and degrease the floor under the staircase. Put down the staircase according to right distance from the wall.

9